

## Joys and Concerns

Prayer List: Family & Friends of Orville Scharff, Dan Frizane, Jan Larsen, Marjorie Madsen, Kurt Muller, Gary Smidt, and Merlin Beahm.

Happy Birthday to Joan Fries.

## Pastoral Prayer

“Doxology

“We Give Thee But Thine Own”

## Offertory Prayer

We give thanks, O Giver of life, for all the gifts you bestow upon us every moment of every day. Help us to recognize the source of our lives, our blessings, and our very being. Take these small tokens of our thanks and bless them so that they might be blessings to others. In the name of the greatest gift of all, Christ Jesus. Amen.

## Holy Communion

Special Music by Lena Choi

Closing Song

“I Will Rise”

## Sending Forth

May the blessing of the journey bring you wisdom and courage for the work of God’s realm. May you know the peace of Christ this day and forevermore. Amen.

## Postlude

Lena Choi

**United Methodist Church**  
340 North Newell Ave.  
Minden, NE  
(308) 832-1995

**Pastor: Rev. Peter Choi**  
Cel phone: 1-201-888-8430  
[www.facebook.com/MindenUMC](http://www.facebook.com/MindenUMC)  
[www.mindenumc.org](http://www.mindenumc.org)

## 2022 Vision:

**Expand Our Boundaries Through the Word of God.**

**“Your word is a lamp for my feet,  
a light on my path”  
(Psalm 119:105)**

# Minden United Methodist Church

Order of Worship

April 3, 2022

5th Sunday in Lent

## Welcome and Announcements

1. Please continue to follow Lent Devotional Reading. Videos are available by 7 AM on YouTube and Facebook.
2. Coming Services
  - **Palm Sunday Service: 9:45 AM, April 10.** We will celebrate Jesus’ triumphal entry into Jerusalem. Kids will sing a song and wave palm branches and a Bible will be given to third and fourth graders.
  - **Maundy Service: 7:00 PM, April 14.** We will wash one another’s hands and offer the Holy Communion.
  - **Good Friday Service: 12:00 PM, April 15.** We will have time to repent our sins at the cross as Jesus Christ died on the cross for our sin.
  - **Easter Service: 9:45 AM, April 17.** We will celebrate the resurrection of Jesus together with the sanctuary full of people.
3. Spring Kids Church School is every Wednesday 3:30 PM - 5:00 PM.
4. Please pick up the April newsletter in the back if you would like a copy.
5. Join us for socializing and refreshments following worship.
6. Last week we received offerings of \$997. Thank you for the offerings and prayers.



## Call to Worship

L: Break open our hearts this morning to hear your word, O God.

**P: Let our fears be vanquished, our spirits restored!**

L: Come and let us worship with great joy!

**P: Let us drop the things of the past, which weighed us down!**

L: God is about to do something new in our lives!

**P: Let God's will become strong in our lives. AMEN.**

## Opening Prayer

We come into your presence, O Lord, with so many burdens and concerns on our hearts. Help us to be open to your words of healing and restoration. Bring us closer to you. Enable us to discern your will for us that we may serve you more faithfully by serving others in need. In Christ's name, we pray. AMEN.

## Silent Prayer

## Opening Song

**"Grace Like Rain"**

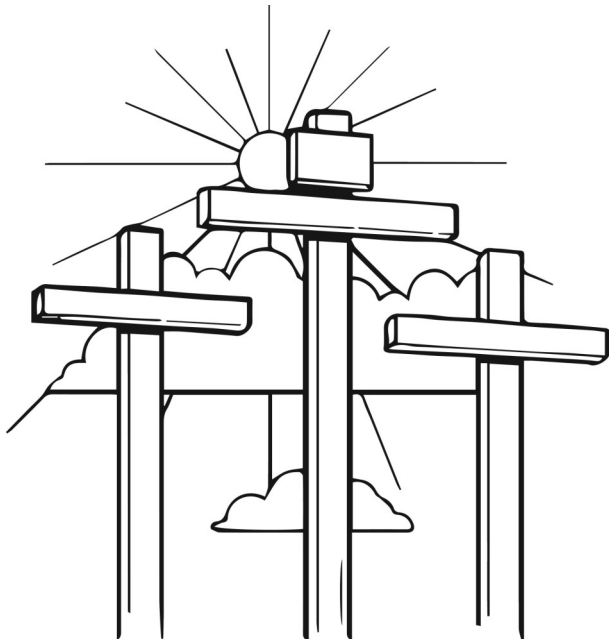
**"What A Beautiful Name"**

## Passing the Peace of Christ

"The Peace of Christ be with you."

"And also with you."

## Children's Time



## Scriptures

### Psalm 126 (NIV)

When the Lord restored the fortunes of Zion,  
we were like those who dreamed.

Our mouths were filled with laughter,  
our tongues with songs of joy.

Then it was said among the nations,  
"The Lord has done great things for them."

The Lord has done great things for us,  
and we are filled with joy.

Restore our fortunes, Lord,  
like streams in the Negev.

Those who sow with tears  
will reap with songs of joy.

Those who go out weeping,  
carrying seed to sow,

will return with songs of joy,  
carrying sheaves with them.

### John 19:25-27 (NIV)

Near the cross of Jesus stood his mother, his mother's sister, Mary the wife of Clopas, and Mary Magdalene. When Jesus saw his mother there, and the disciple whom he loved standing nearby, he said to her, "Woman, here is your son," and to the disciple, "Here is your mother." From that time on, this disciple took her into his home

L: This is the Word of the Lord.

**P: Thanks be to God.**

## Message

**"Here Is Your Son and Here Is Your Mother"**  
Pastor Peter Choi

**Ginger Frizane**